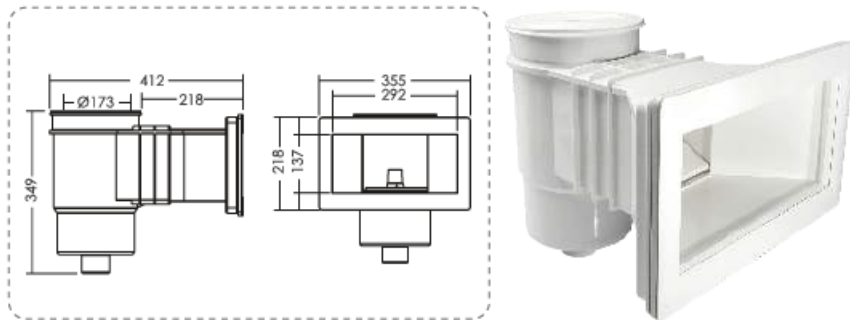


Emaux 9.5L Wide Mouth Wall Skimmer Concrete Pool

SKU- WEWG

9.5L Wide Mouth Wall Skimmer EM0020



Code	Model	Connection	Application	Flow Rate (L/min)
91601002	EM0020-RV	1.5" Internal Threaded	Vinyl Pool	150
91601001	EM0020-RC	1.5" Internal Threaded	Concrete Pool	150