

# E-Power Pump

HIGH PERFORMANCE & HEAVY DUTY  
For residential and semi-commercial pools



 **Emaux**  
water technology

CE  RoHS  
COMPLIANT  SAA

Pool & Spa Equipment

**SIGNATURE COLLECTION**

# Product Features

---

- 1) Asynchronous, two-pole motor
- 2) Class insulation: 130(B)
- 3) IPX5 Waterproof standard
- 4) Built-in thermal protection
- 5) Overload protection
- 6) Available in 50Hz or 60Hz for 220V/380V
- 7) Special designed unions compatible for both imperial and metric measurement standards
- 8) Imperial and Metric measurement standard
- 9) 316 Stainless steel shaft
- 10) 316 Stainless steel mechanical seal
- 11) Self-Priming up to 2.5m above water level
- 12) Testing pressure 50 PSI (3.5 Bar)
- 13) Basket Volume 5 litres

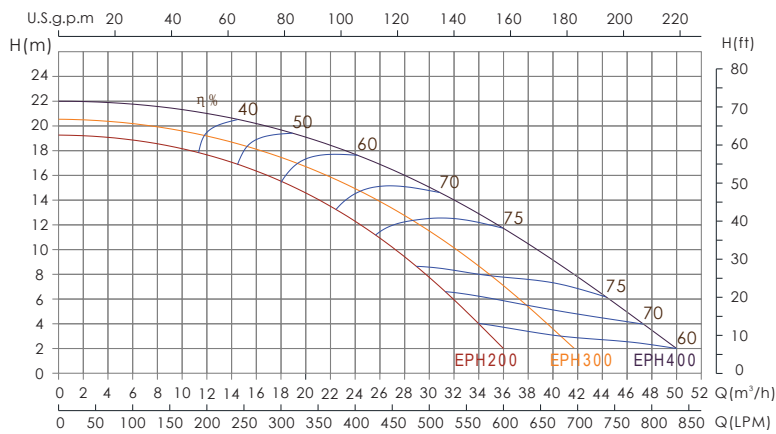
**Ring lock seal design eliminates suction leaks and maximizes suction efficiency**



# A High-Performing Self-Priming Pump

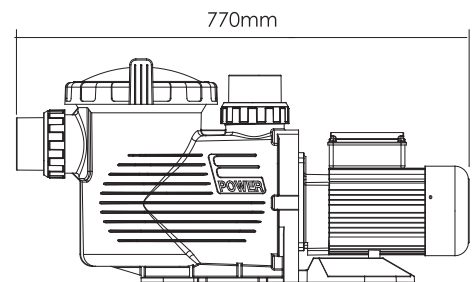
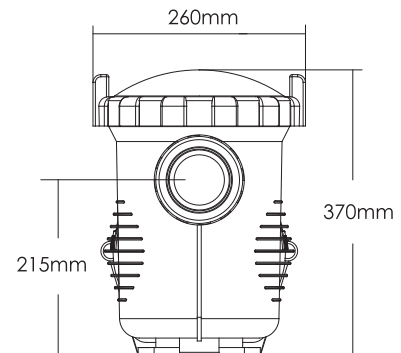


## Technical Information



Remark: The performance curve above is for 50Hz models.

## Product Dimensions



Model 50Hz	Input (kW)	Current (AMP)	Noise (dB)	Head (m)					
				6	8	10	12	14	16
Flow Rate (m <sup>3</sup> /h)									
EPH200	1.8	8.2	68	32	30	27	24	21	17
EPH300	2.2	10.0	69	37	35	32	29	26	22
EPH400	2.8	12.5	71	45	42	39	36	32	28

Code 220V/50Hz	Code 220V/60Hz	Code 380V/50Hz	Model	Connection Size	Horsepower	Weight (kg)
88020708	88021008	88020808	EPH200	2" / 63mm 2.5" / 75mm	2.0hp	23.0
88020709	88021009	88020809	EPH300	2" / 63mm 2.5" / 75mm	3.0hp	24.0
88020718	88021018	88020818	EPH400	2" / 63mm 2.5" / 75mm	4.0hp	25.0

**EMAUX WATER TECHNOLOGY CO., LTD**

ADDRESS: 2/F, Lockhart Centre, No. 301-307 Lockhart Road,  
Wanchai, Hong Kong  
PHONE +852 2832 9880  
[www.emauxgroup.com](http://www.emauxgroup.com)

 **YOUR PREMIER SUPPLIER**

Available from:

ALL SPECIFICATIONS ARE SUBJECT TO CHANGE WITHOUT NOTICE.  
© EMAUX WATER TECHNOLOGY CO., LTD. ALL RIGHTS RESERVED.

[www.emauxgroup.com](http://www.emauxgroup.com)