

# E-LUMEN X - "Eagle Eye" SERIES

A fine design light for residential Pool and Spa

## ULTRA SLIM FIT NICHELESS LED POOL LIGHT

EAGLE EYE is a slim, high efficiency LED light with a powerful 18W output. The nicheless design allows for installation in 1.5 inch/50mm PVC pipes, suction fittings, or wall conduits. An easy-change lens cover provides a handy option for switching lighting effects.



Material  
PC + ABS

Operation Voltage  
12V AC

Power  
18W

Cable Length  
7ft / 50ft / 100ft / 150ft  
2.5m / 15m / 30m / 45m

Waterproof Standard  
IP68



### Advantages:

#### Innovative convection design

Eagle eye allocates the innovative technologies of convection design. The faster the heat transfer, the longer it will last.

#### The flexibility of smaller size

Eagle eye is only 190mm (7½") in length, which can fit into the narrowest pool walls, providing flexibility for every masterpiece design.

#### Long operational lifespan

LED life exceeds 9,000 hours.

#### Ultimate glowing

The diffuser lens offers a wide angle and distance of illumination.

#### Multi-installation mechanisms

Designed for installation with PVC pipes, suction fittings, and wall conduits and adaptable for different pool types.

#### Wireless color change

Compatible with Emaux Colortouch remote control system for direct change: color, lighting effect and brightness level.

#### Friendly accessories

A protective cover plus two lens covers are included. Lens covers are specifically designed for the Eagle eye to eliminate reflective shadows and halos on the pool floor, which helps to keep bright lights out of swimmers' eyes in shallow areas.

## Lens Covers



Eagle Eye



Half Moon

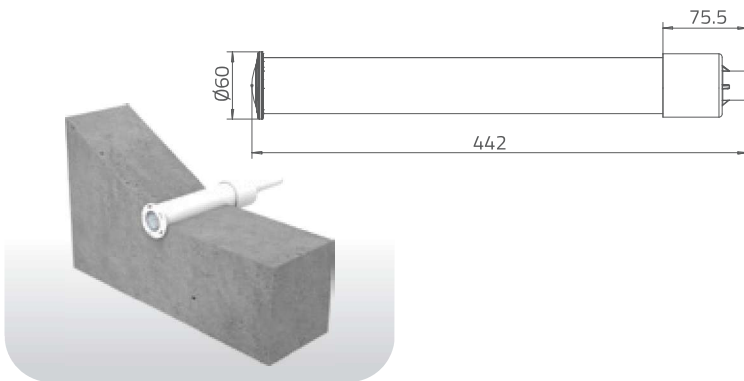


Angle and distance of illumination

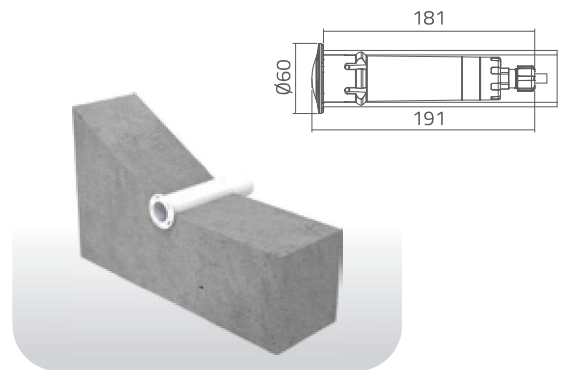
## Product Information

Code	Model	Cable Length	Description	Illuminance
9043001	EAG18	7/50/100/150 ft 2.5/15/30/45 m	Eagle Eye Nicheless LED Light 2White+RGB, 18W / 12V AC	278 Lux

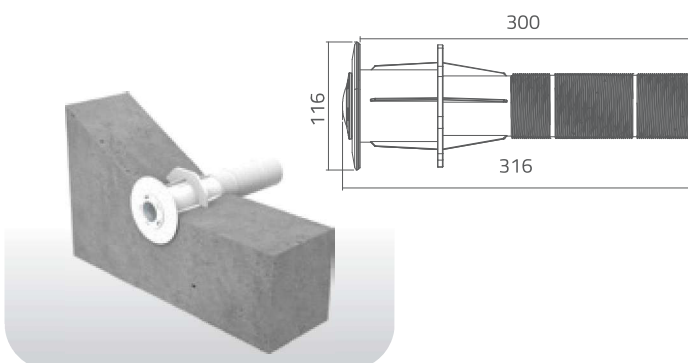
## Installations



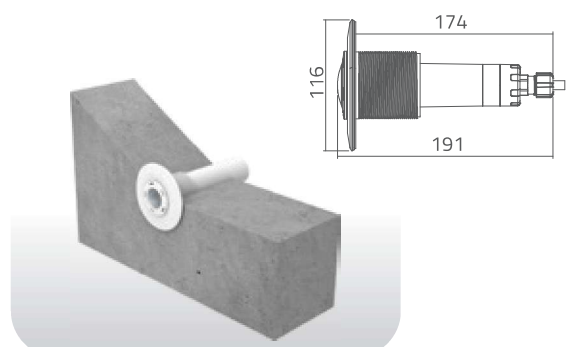
EM2858



1.5" PVC Pipe



Conduits



Suction Fittings